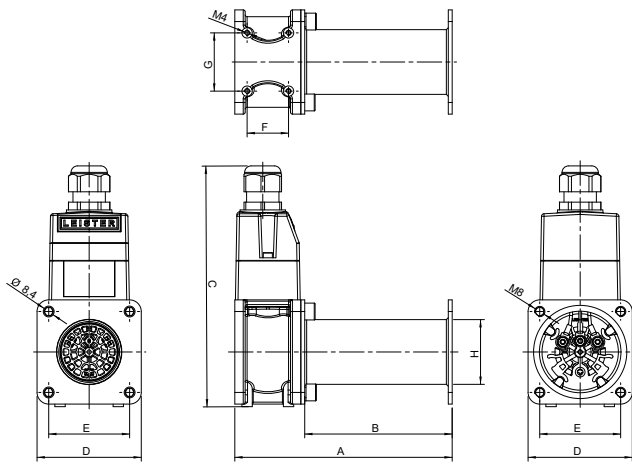


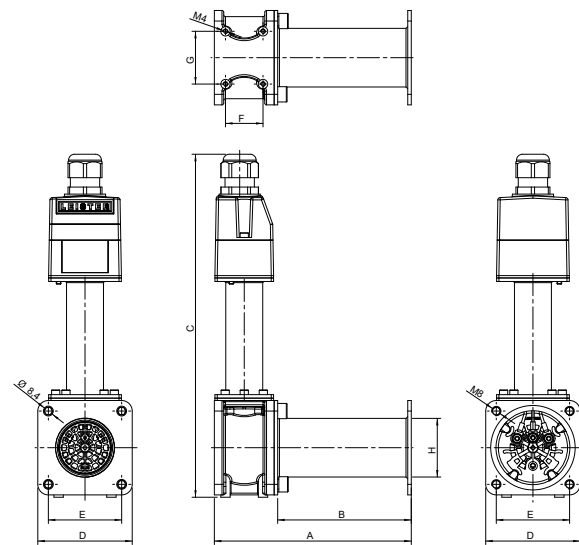


Einbaumasse in mm



Typ	A	B	C	D	E	F	G	H
LHS 210 SF	178	124	175	67	50.8	32	34	36.5
LHS 210 DF	168	114	175	67	50.8	32	34	36.5

Einbaumasse in mm



Typ	A	B	C	D	E	F	G	H
LHS 210 SF-R	178	124	282	67	50.8	32	34	36.5
LHS 210 DF-R	168	114	282	67	50.8	32	34	36.5

Artikel-Nummern:

LHS 210 SF, 120 V / 2 kW	170.898	LHS 210 SF-R, 120 V / 2 kW	170.909
LHS 210 SF, 230 V / 1 kW	170.899	LHS 210 SF-R, 230 V / 1 kW	170.910
LHS 210 SF, 230 V / 2 kW	170.900	LHS 210 SF-R, 230 V / 2 kW	170.911
LHS 210 SF, 230 V / 3.3 kW	170.901	LHS 210 SF-R, 230 V / 3.3 kW	170.912
LHS 210 DF, 120 V / 2 kW	170.920	LHS 210 DF-R, 120 V / 2 kW	170.931
LHS 210 DF, 230 V / 1 kW	170.921	LHS 210 DF-R, 230 V / 1 kW	170.932
LHS 210 DF, 230 V / 2 kW	170.922	LHS 210 DF-R, 230 V / 2 kW	170.933
LHS 210 DF, 230 V / 3.3 kW	170.923	LHS 210 DF-R, 230 V / 3.3 kW	170.934