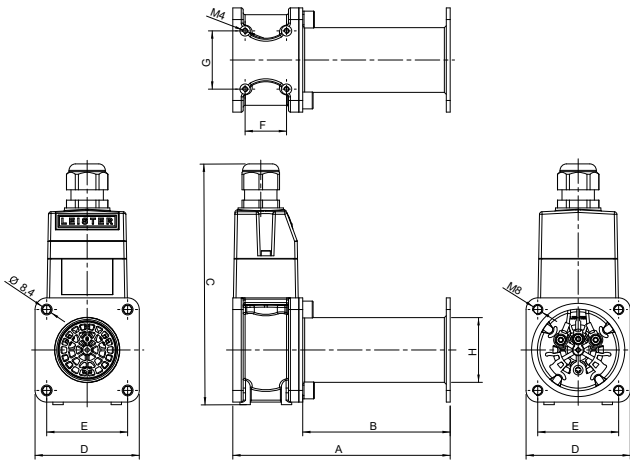


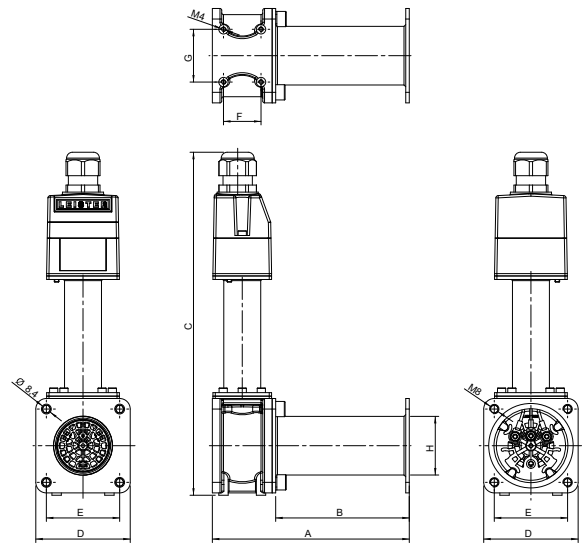


Einbaumaße in mm



Typ	A	B	C	D	E	F	G	H
LHS 410 SF	178	124	186	81	62.5	32	45	50
LHS 410 DF	168	114	186	81	62.5	32	45	50

Einbaumaße in mm



Typ	A	B	C	D	E	F	G	H
LHS 410 SF-R	178	124	293	81	62.5	32	45	50
LHS 410 DF-R	168	114	293	81	62.5	32	45	50

Artikel-Nummern:

LHS 410 SF, 120 V / 2 kW	170.902	LHS 410 SF-R, 120 V / 2 kW	170.913
LHS 410 SF, 230 V / 2 kW	170.903	LHS 410 SF-R, 230 V / 2 kW	170.914
LHS 410 SF, 230 V / 3.6 kW	170.904	LHS 410 SF-R, 230 V / 3.6 kW	170.915
LHS 410 SF, 230 V / 4.4 kW	170.905	LHS 410 SF-R, 230 V / 4.4 kW	170.916
LHS 410 SF, 400 V / 2 kW	170.906	LHS 410 SF-R, 400 V / 2 kW	170.917
LHS 410 SF, 400 V / 4.4 kW	170.907	LHS 410 SF-R, 400 V / 4.4 kW	170.918
LHS 410 SF, 400 V / 5.5 kW	170.908	LHS 410 SF-R, 400 V / 5.5 kW	170.919
LHS 410 DF, 120 V / 2 kW	170.924	LHS 410 DF-R, 120 V / 2 kW	170.935
LHS 410 DF, 230 V / 2 kW	170.925	LHS 410 DF-R, 230 V / 2 kW	170.936
LHS 410 DF, 230 V / 3.6 kW	170.926	LHS 410 DF-R, 230 V / 3.6 kW	170.937
LHS 410 DF, 230 V / 4.4 kW	170.927	LHS 410 DF-R, 230 V / 4.4 kW	170.938
LHS 410 DF, 400 V / 2 kW	170.928	LHS 410 DF-R, 400 V / 2 kW	170.939
LHS 410 DF, 400 V / 4.4 kW	170.929	LHS 410 DF-R, 400 V / 4.4 kW	170.940
LHS 410 DF, 400 V / 5.5 kW	170.930	LHS 410 DF-R, 400 V / 5.5 kW	170.941